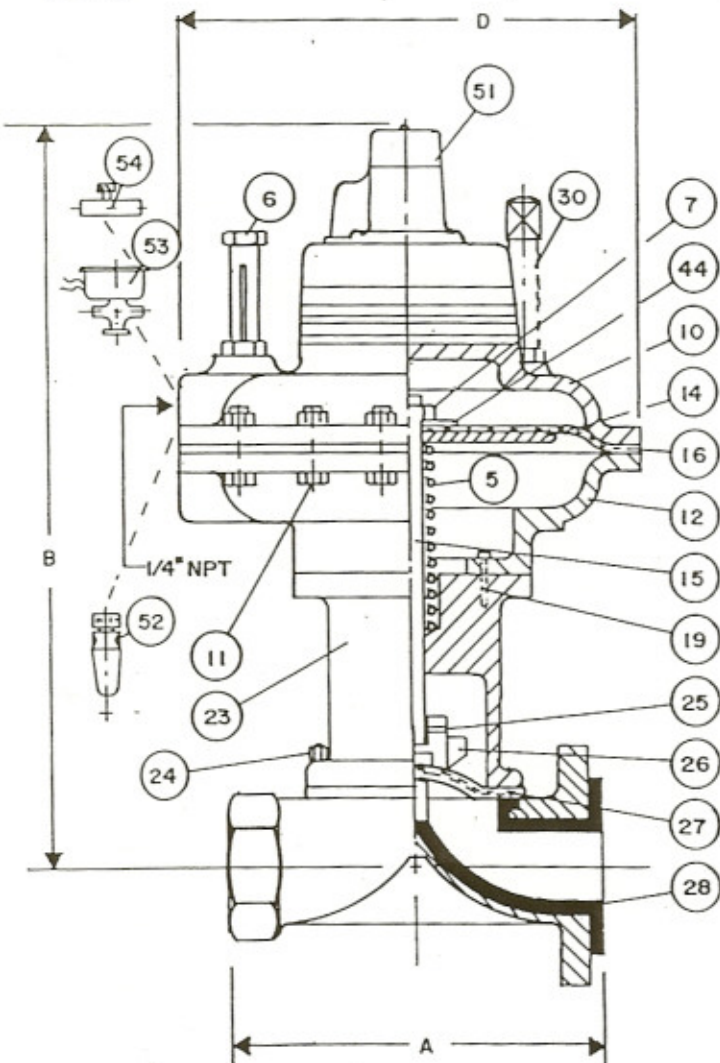


| No. | DESCRIPTION |
|------|------------------------------|
| 5 | SPRING |
| 6 | POSITION INDICATOR |
| 7 | DIAPHRAGM NUT |
| 10 | UPPER DIAPHRAGM CASE |
| 11 | NUT & BOLT |
| 12 | LOWER DIAPHRAGM CASE |
| 14 | DIAPHRAGM PLATE |
| 15 | PUSH ROD |
| * 16 | OPERATOR DIAPHRAGM |
| 17 | C-10 UPPER GASKET |
| 19 | ALLEN CAP SCREW |
| 22 | ALLEN CAP SCREW |
| 23 | BONNET |
| 24 | BONNET NUT |
| 25 | COMPRESSOR PIN |
| 26 | COMPRESSOR |
| * 27 | BODY DIAPHRAGM |
| 28 | BODY |
| 29 | COVER CAP |
| 30 | LIMIT SCREW |
| 31 | LOCK NUT |
| 32 | LIMIT STOP "O" RING |
| 33 | LIMIT STOP FITTING |
| 34 | TOP MOUNTED HANDWHL. FITTING |
| 37 | HANDWHEEL NUT |
| 38 | HANDWHEEL WASHER |
| 39 | HANDWHEEL |
| 40 | HANDWHEEL SCREW |
| 41 | SEAL ASSEMBLY |
| 42 | GASKET |
| 43 | C-1500 HANDWHL. FITTING |
| 44 | DIAPHRAGM WASHER |
| 50 | LIMIT SWITCHES |
| 51 | BUILT-IN POSITIONER |
| 52 | FILTER REGULATOR |
| 53 | SOLENOID VALVE |
| 54 | 1616 SPEED CONTROL |

* RECOMMENDED SPARE PARTS WHEN ORDERING PARTS, SPECIFY SERIAL NO.



A - DIMENSION

| VLV. SIZE | 1/2 | 3/4 | 1 | 1-1/4 | 1-1/2 | 2 | 2-1/2 | 3 | 4 | 6 | 8 |
|-----------|-----|-----|---|-------|-------|---|-------|---|---|---|---|
| FLDGLINED | | | | | | | | | | | |
| FLDGD | | | | | | | | | | | |
| SCREWED | | | | | | | | | | | |
| SOCKET | | | | | | | | | | | |

B - DIMENSION

| TOP SIZE | 0 | 1 | 2 | 2A | 3 | 4 | 5 |
|----------|---|---|---|----|---|---|---|
| 1/2 | | | | | | | |
| 3/4 | | | | | | | |
| 1 | | | | | | | |
| 1-1/4 | | | | | | | |
| 1-1/2 | | | | | | | |
| 2 | | | | | | | |
| 2-1/2 | | | | | | | |
| 3 | | | | | | | |
| 4 | | | | | | | |
| 6 | | | | | | | |
| 8 | | | | | | | |

D - DIMENSION

| TOP SIZE | 0 | 1 | 2 | 2A | 3 | 4 | 5 |
|----------|---|---|---|----|---|---|---|
| D-DIMEN. | | | | | | | |

P.O. _____
 JOB NO. _____
 TAG NO. _____

BY: JADD DATE: 4-9-84 CER BY: NONE DATE: NONE SCALE: _____
 CENTURY INSTRUMENT COMPANY
 LIVONIA, MICHIGAN 48150

REFERENCE: CENTURY 630H
 DIAPHRAGM CONTROL VALVE
 AIR TO CLOSE, SPRING TO OPEN

5-4126

DWG. NO. 5-4126